



**视觉开关、创新设计**  
Vision switch, new design

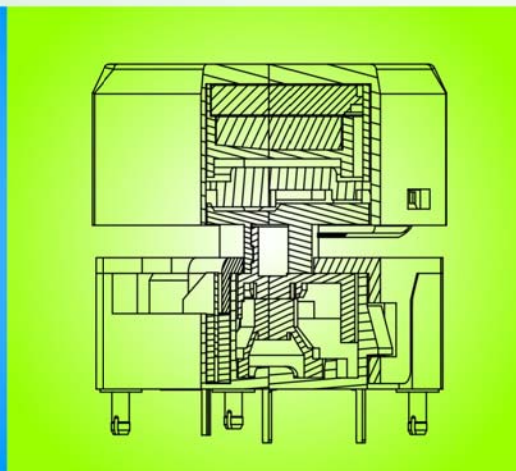
**Features:**  
 Long electrical life cycles.  
 Choice of multiple colored caps.  
 Choice of painted colored caps.  
 Laser marking service.  
 Available for Push button with LCD/OLED display



**产品特点：**  
 提供带触感型及无触感型两种选择  
 超高亮RGB背光源,耐久鲜明  
 LCD/OLED屏,显示模式自定义  
 超长距离, 高信耐接触, 无杂讯

**Applications**  
 Studio equipment.  
 Audio/Video products.  
 Broadcast system.  
 Instrumentation.  
 Telecommunications...etc.

**使用范围**  
 音响、影像等录音室器材设备  
 广播系统、电信仪器设备。



超长距离, 高信耐接触, 无杂讯  
 Long distance connection,  
 high contact resistance, no noise

Studio equipment.  
 Audio/Video products,  
 Broadcast system,  
 Instrumentation,  
 Telecommunications ...etc.  
 音响、影像等录音室器材设备、广播系统、  
 电信仪器设备

### General Specifications: (产品规格)

CONTACT RATING: 12 V DC,0.1A.
CONTACT RESISTANCE:200 mΩ MAX.(Initial).
INSULATION RESISTANCE: 100MΩ MIN (DC 250V).
WITHSTAND VOLTAGE: AC 125 V /1 MINUTE.
OPERATING TEMPERATURE: -25C~70C.
OPERATING FORCE: 180±50 gf.
FULL TRAVEL: 1.8±0.3mm .
LIFE CYCLE:1,000,000 CYCLES.
LCD TYPE:64(horizontal)X32(vertical) Pixel format .
OLED TYPE:64(horizontal)X64(vertical) Pixel format .

### Material: (产品材质)



Cover:Polycarbonate(PC)
Actuator:Polyoxymethylene(POM)
Base Frame:Polyamide(PA)+GF
Terminal:Brass with silver plating
Moving Contact:Phosphor Bronze with gold plating
Display: LCD

### Terminal's Configuration

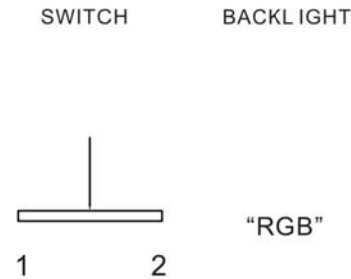
PIN 1	Switch Terminal	PIN 2	Switch Terminal
PIN 3	GND[Gorund]	PIN 4	VDD[Power]
PIN 5	SD0[Data Out]	PIN 6	SDI[Data In]
PIN 7	SCK[Serial Clock]	PIN 8	SS[Slave Select]

### HOW TO ORDER

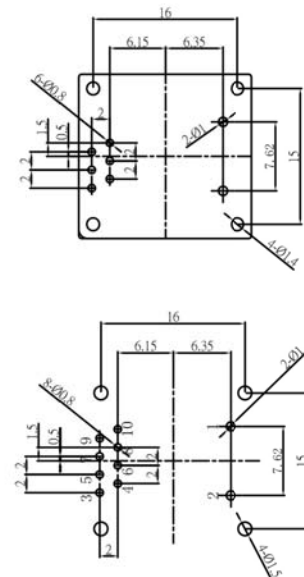
SERIES	OPERATION	POLE	ACTUATION TYPE	BACKLIGHT	DISPLAY	FRAME TYPE	CAP COLOR	PLATE COLOR
DSP	N	1	T	F	D	A	T	W
	N=NON-LOCK	1=1 POLE	T=TACTILE TYPE N=NON TACTILE X=NON OPERATION	R=RED G=GREEN B=BLUE Y=YELLOW W=WHITE F=FULL COLOR N=NONE	D=DISPLAY[LCD] L=DISPLAY[LED] O=DISPLAY[OLED] N=NONE	A=A TYPE B=B TYPE C=C TYPE D=D TYPE	T=TRANSPARENT R=RED G=GREEN B=BLUE Y=YELLOW S=SILVER KT=BLACK TRANSPARENT N=NONE	W=WHITE R=RED G=GREEN B=BLUE Y=YELLOW N=NONE (LCD TYPE) F=FILM PLATE

CAP Symbol:Please refer to cap selection for all available symbols on cap surface,and any customization is welcomed

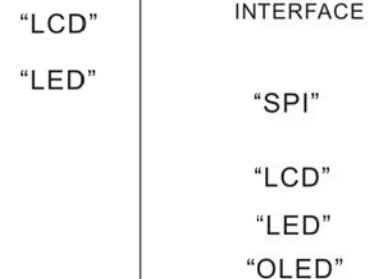
### SCHEMATIC



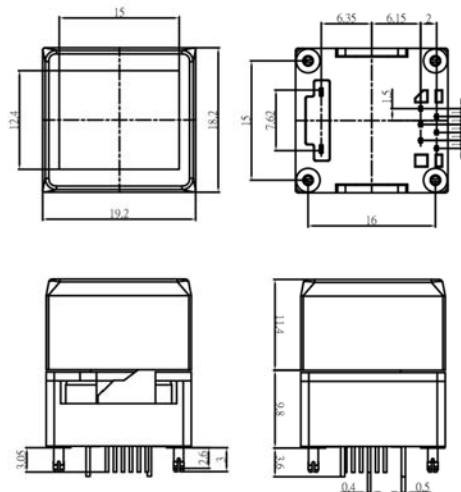
### P. C. B LAYOUT



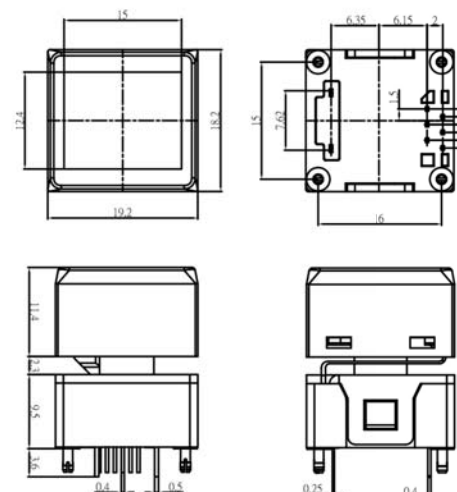
### DISPLAY MODE



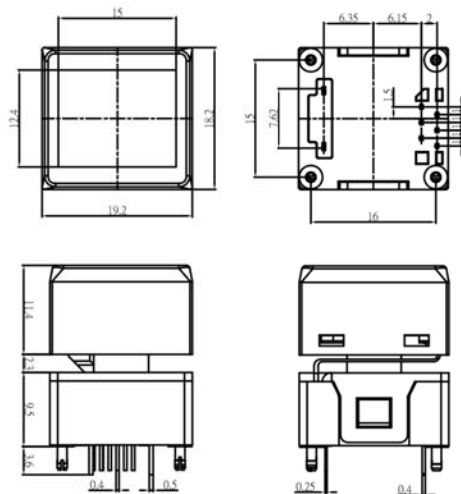
### DSP-N1XFD-ATN



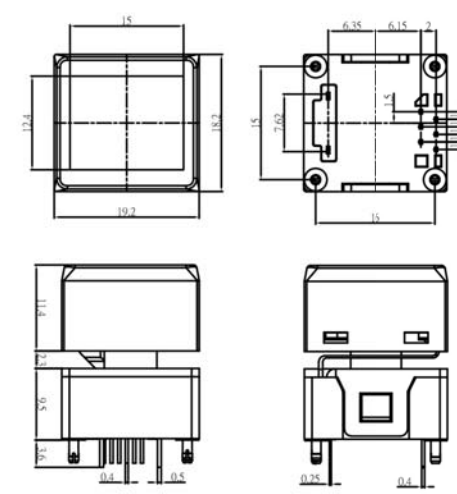
### DSP-N1TFD-ATN



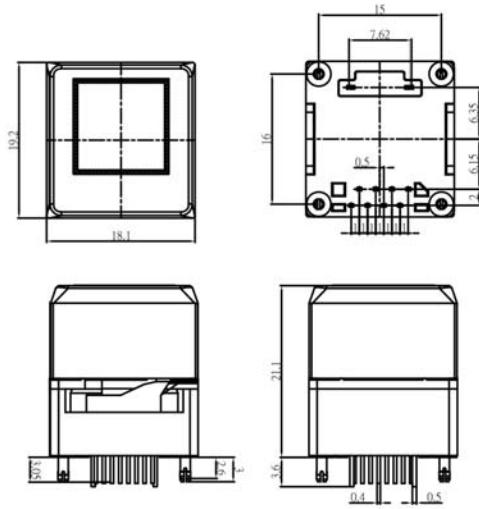
### DSP-N1NFD-ATN



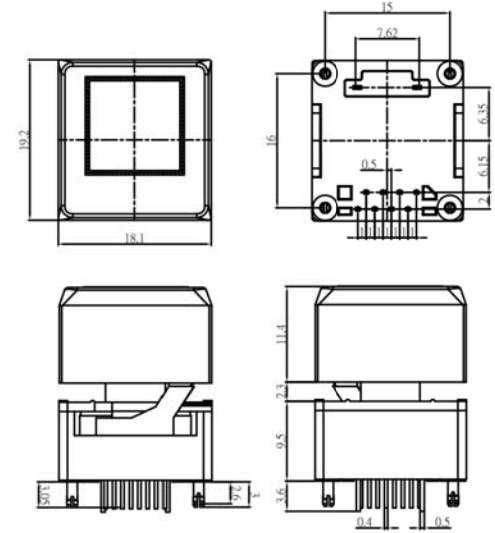
### DSP-N1TFL-ATW



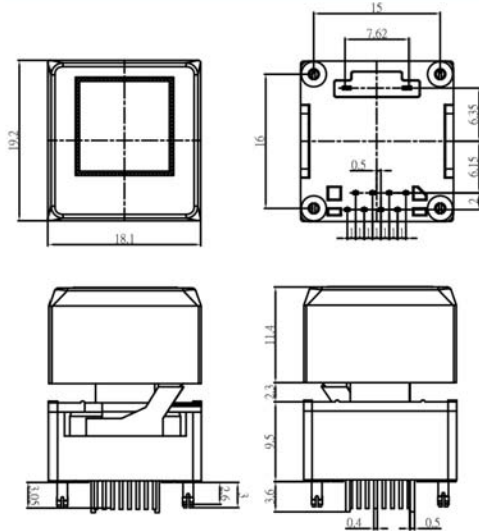
### DSP-N1XFO-CKTF



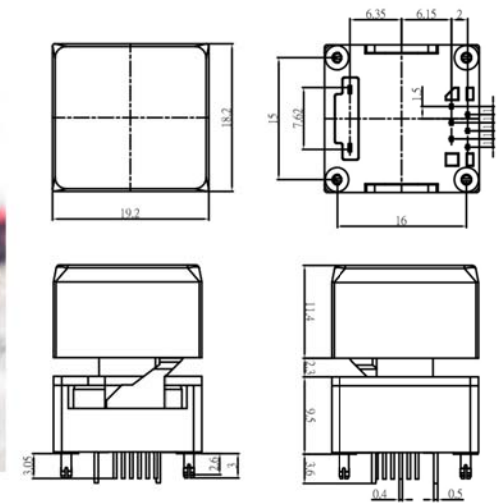
### DSP-N1TFO-CKTF



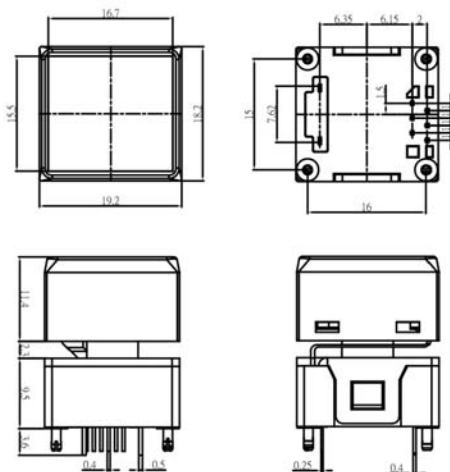
### DSP-N1NFO-CKTF



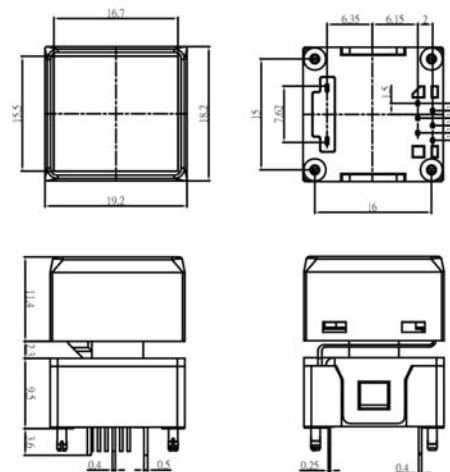
### DSP-N1TFL-CKTW



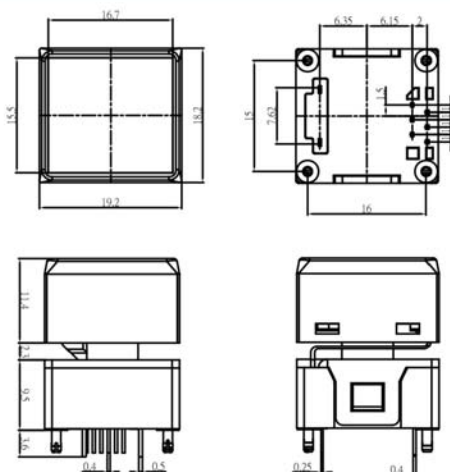
### DSP-N1TFL-BTW



### DSP-N1NFL-BTW



### DSP-N1TFL-BTW



■ LCD/OLED/ LED ILLUMINATED PUSH BUTTON SWITCH